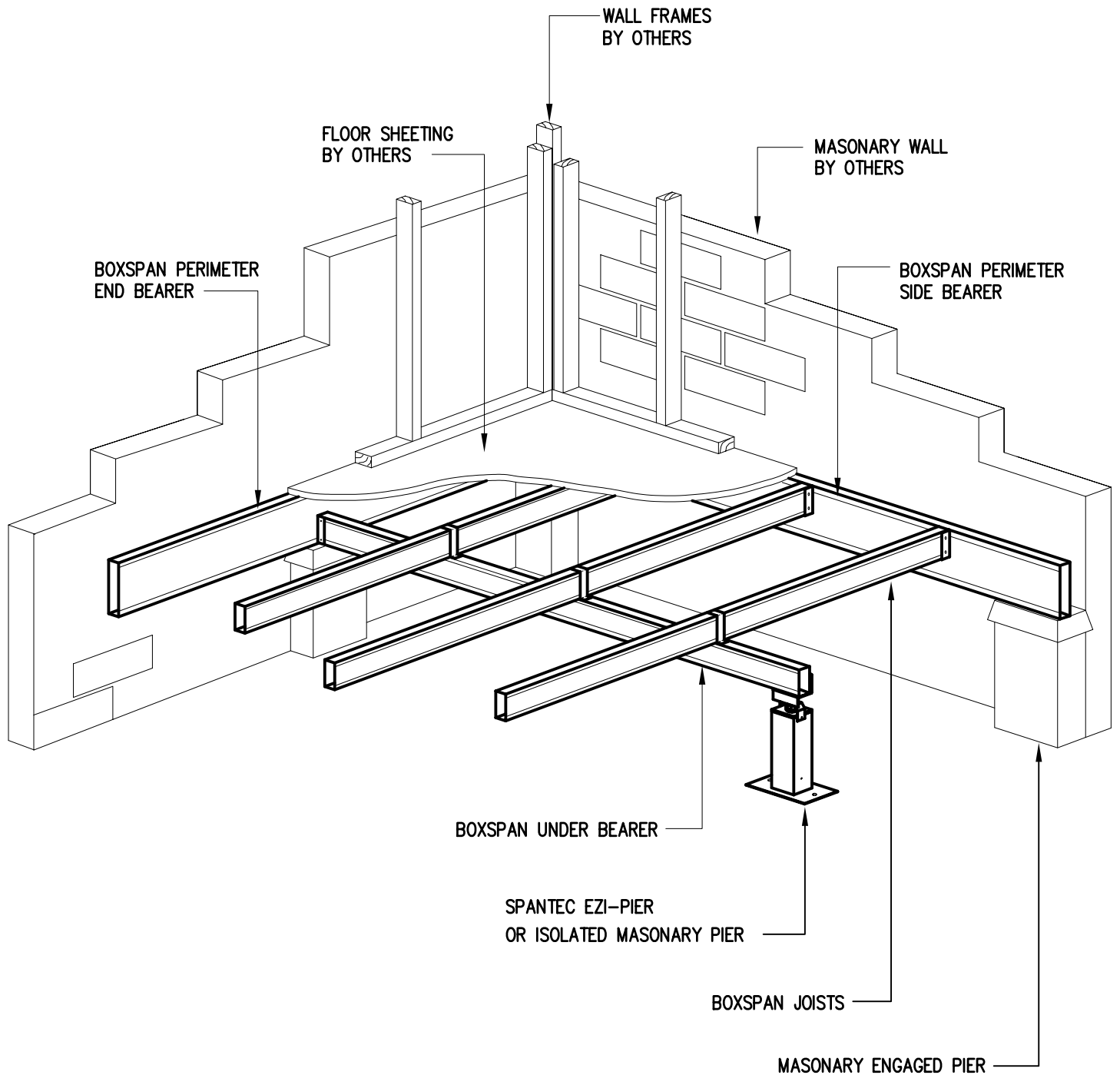


INSTALLATION GUIDES  
**GROUND FLOOR FRAME  
RING BEAM SYSTEM**

# RING BEAM FLOOR SYSTEM OVERVIEW

## FOR RESIDENTIAL GROUND FLOOR APPLICATIONS (BRICK VENEER CONSTRUCTION)



**SPANTEC**

SPANTEC SYSTEMS PTY LTD.  
ABN 56 053 584 384

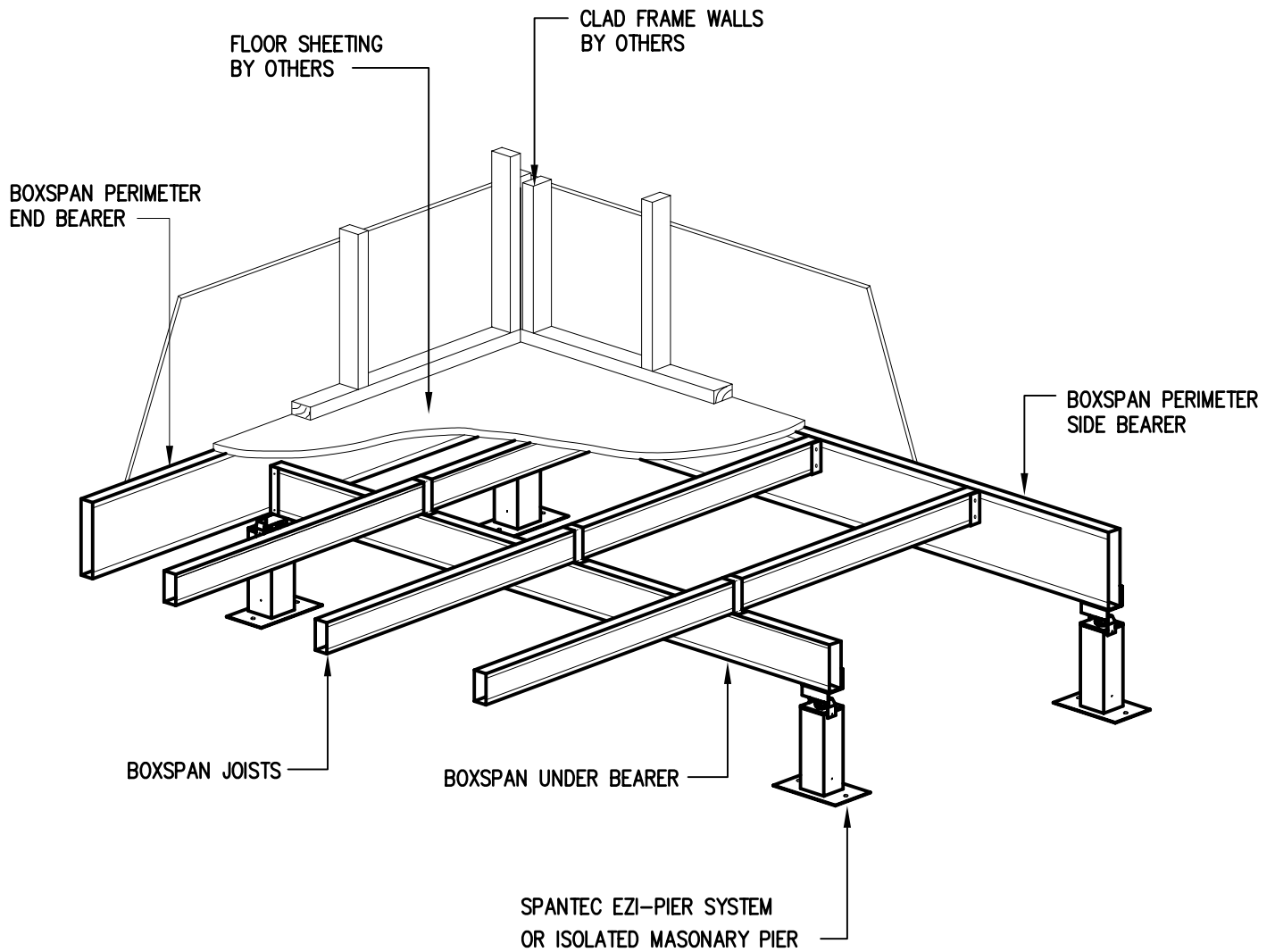
17 DRAPERS ROAD BRAEMAR, NSW, 2575  
P.O. BOX 81 MITTAGONG, NSW, 2575, AUSTRALIA  
PHONE: 02 4872 1611 FACSIMILE: 02 4872 1616  
[design@spantec.com.au](mailto:design@spantec.com.au)

DATE DRAWN	DWG FILE	REFERENCE
APRIL 2006	INSTALL_TITLE	<b>RBFW02</b>
SCALE	VIEW NAME	REVISION
NTS	BV_OVERVIEW	<b>A</b>

# RING BEAM FLOOR SYSTEM OVERVIEW

## FOR RESIDENTIAL GROUND FLOOR APPLICATIONS

### (CLAD CONSTRUCTION)



**SPANTEC**

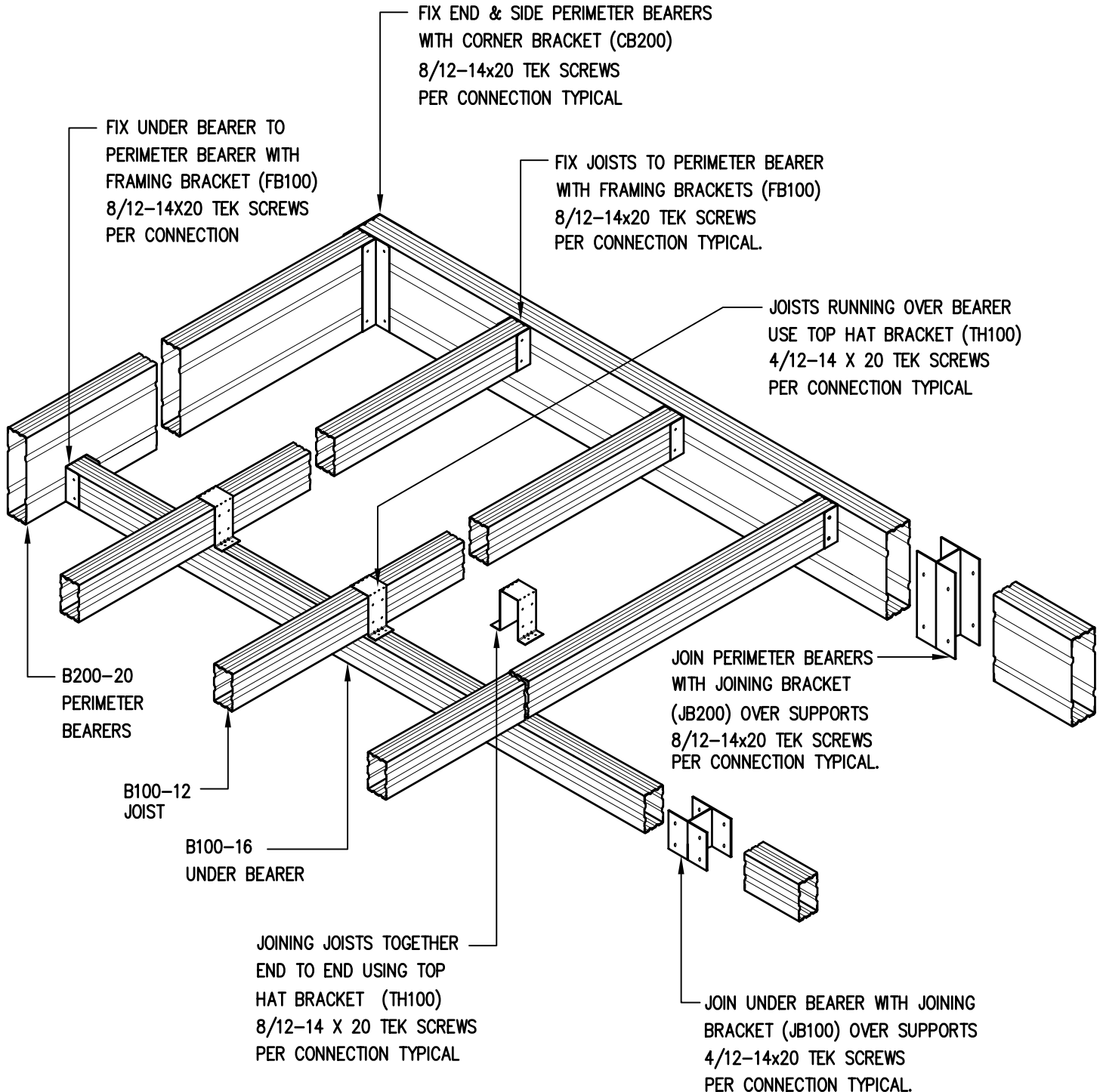
SPANTEC SYSTEMS PTY LTD.  
ABN 56 053 584 384

17 DRAPERS ROAD BRAEMAR, NSW, 2575  
P.O. BOX 81 MITTAGONG, NSW, 2575, AUSTRALIA  
PHONE: 02 4872 1611 FACSIMILE: 02 4872 1616  
[design@spantec.com.au](mailto:design@spantec.com.au)

DATE DRAWN	DWG FILE	REFERENCE
APRIL 2006	INSTALL_TITLE	RBFW03
SCALE	VIEW NAME	REVISION
NTS	CLAD_OVERVIEW	A

# 200 RING BEAM FLOOR SYSTEM

## FLOOR MEMBER ARRANGEMENT



**SPANTEC**

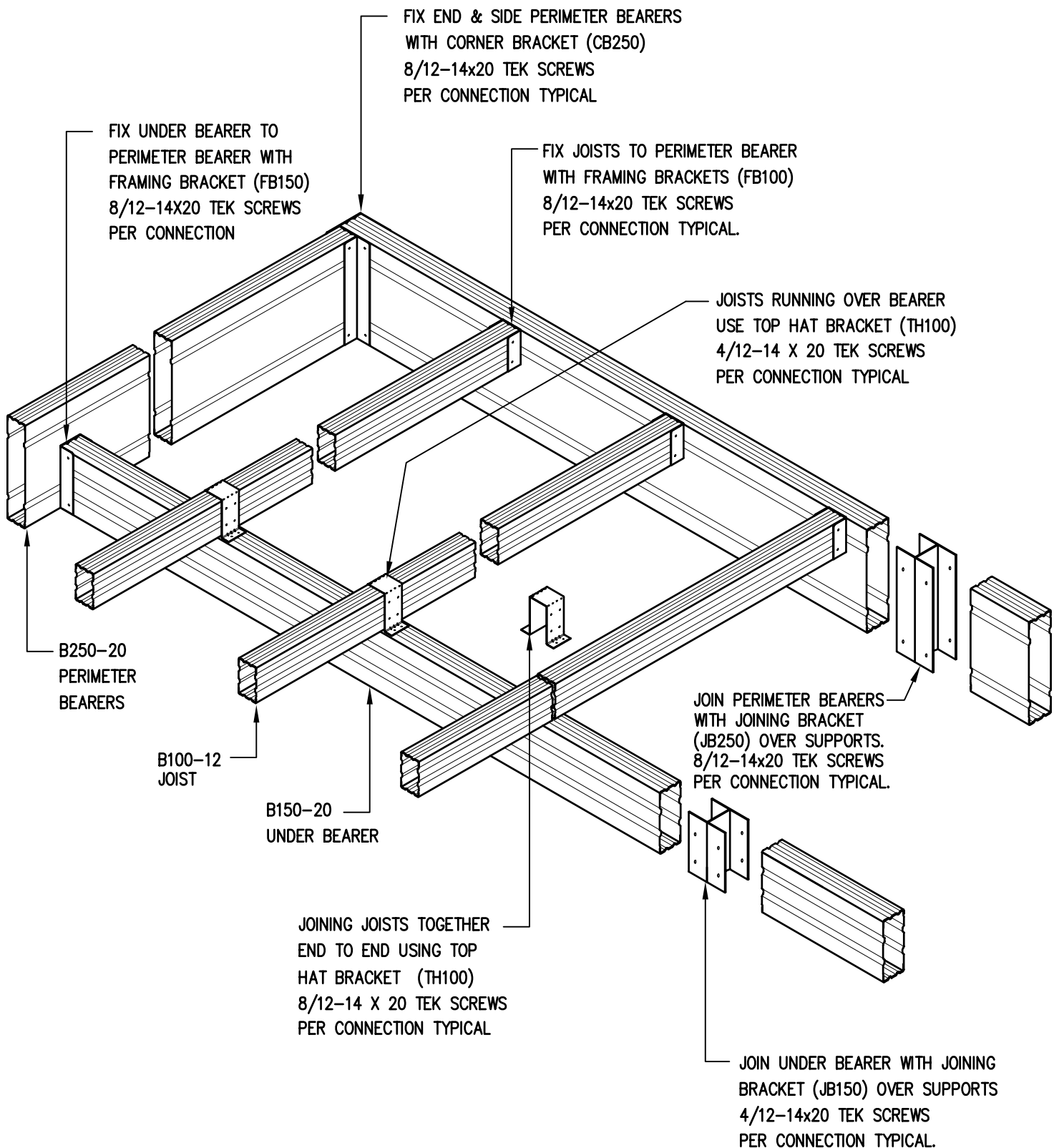
SPANTEC SYSTEMS PTY LTD.  
ABN 56 053 584 384

17 DRAPERS ROAD BRAEMAR, NSW, 2575  
P.O. BOX 81 MITTAGONG, NSW, 2575, AUSTRALIA  
PHONE: 02 4872 1611 FACSIMILE: 02 4872 1616  
design@spantec.com.au

DATE DRAWN	DWG FILE	REFERENCE
APRIL 2006	INSTALL_TITLE	RBFW04
SCALE	VIEW NAME	REVISION
NTS	ARRANGEMENT	A

# 250 RING BEAM FLOOR SYSTEM

## FLOOR MEMBER ARRANGEMENT



**SPANTEC**

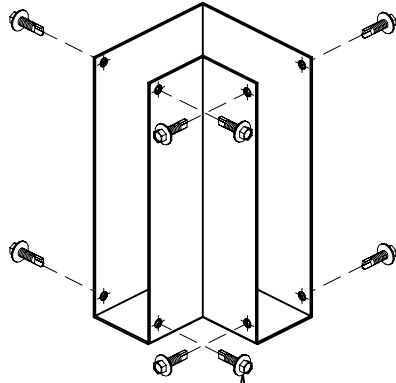
SPANTEC SYSTEMS PTY LTD.  
ABN 56 053 584 384

17 DRAPERS ROAD BRAEMAR, NSW, 2575  
P.O. BOX 81 MITTAGONG, NSW, 2575, AUSTRALIA  
PHONE: 02 4872 1611 FACSIMILE: 02 4872 1616  
design@spantec.com.au

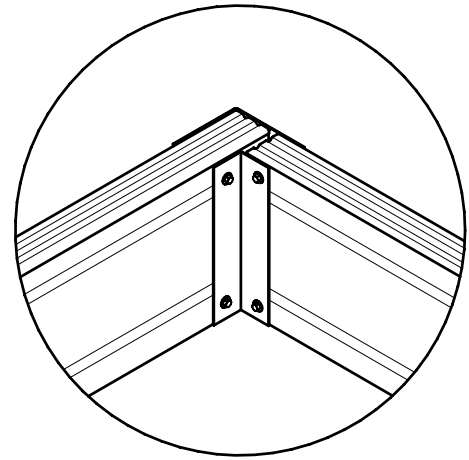
DATE DRAWN	DWG FILE	REFERENCE
APRIL 2006	INSTALL_TITLE	RBFW05
SCALE	VIEW NAME	REVISION
NTS	ARRANGEMENT	A

# CORNER BRACKET – 90° (CB)

FOR JOINING PERIMETER BEARERS AT 90° CORNERS.



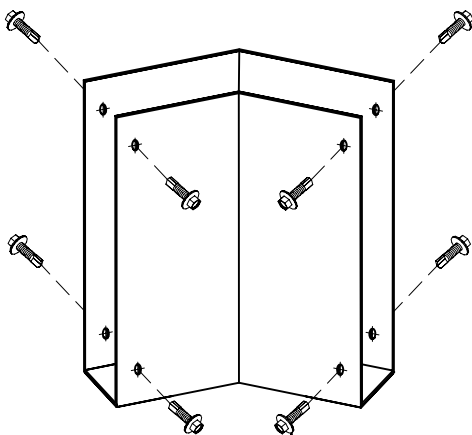
CB100  
CB150  
CB200  
CB250



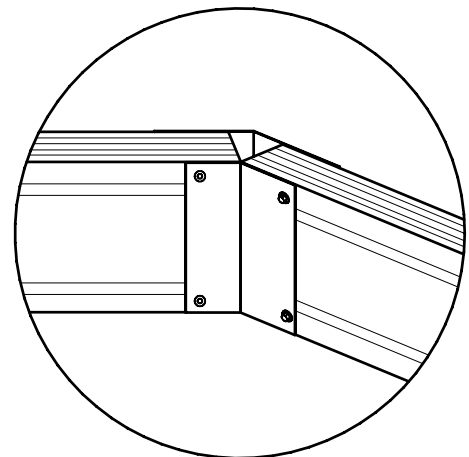
8/12-14x20 TEK SCREWS PER BRACKET

# BAY BRACKET – 135° (BB)

FOR JOINING PERIMETER BEARERS AT 135° CORNERS (BAY WINDOWS)



BB100  
BB150  
BB200  
BB250



8/12-14x20 TEK SCREWS PER BRACKET

# SPANTEC

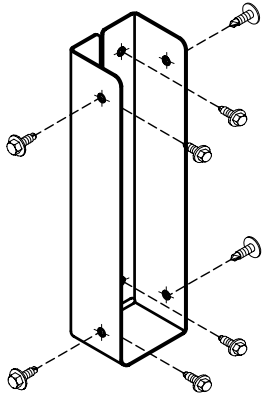
SPANTEC SYSTEMS PTY LTD.  
ABN 56 053 584 384

17 DRAPERS ROAD BRAEMAR, NSW, 2575  
P.O. BOX 81 MITTAGONG, NSW, 2575, AUSTRALIA  
PHONE: 02 4872 1611 FACSIMILE: 02 4872 1616  
[design@spantec.com.au](mailto:design@spantec.com.au)

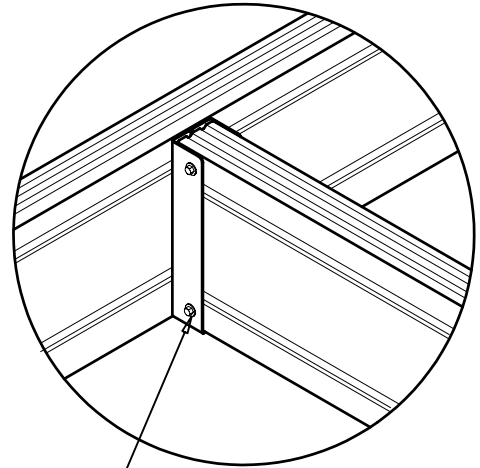
DATE DRAWN	DWG FILE	REFERENCE
APRIL 2006	BRACKET	BR12
SCALE	VIEW NAME	REVISION
NTS	BR12	C

# FRAMING BRACKET (FB)

FOR FIXING JOISTS TO BEARERS PERPENDICULAR TO EACH OTHER



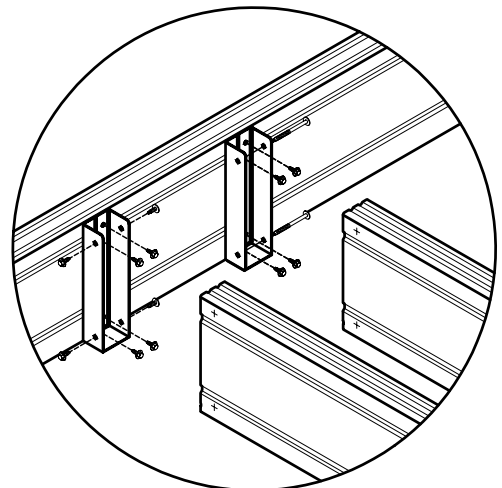
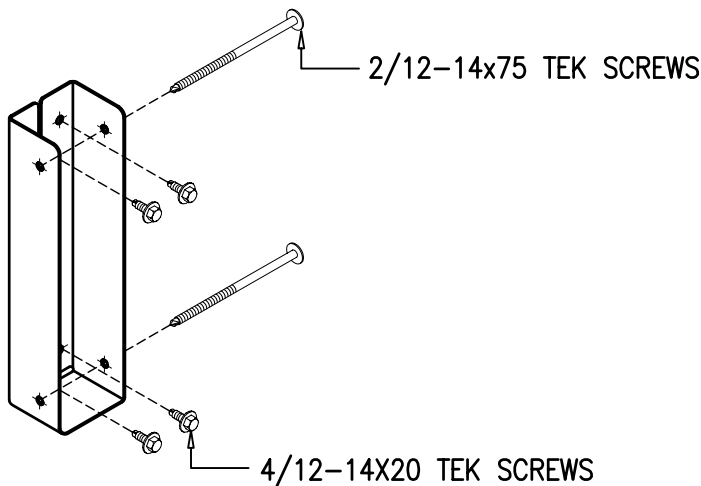
FB100  
FB150  
FB200  
FB250



8/12-14x75 TEK SCREWS

# FRAMING BRACKET (FB – SINGLE SIDE FIXING)

FOR FIXING JOISTS TO BEARERS WHEN AND ACCESS IS DIFFICULT



NOTE: 12-14x75 SCREWS ARE DRIVEN THROUGH FULL WIDTH OF BRACKET AND BEAM TO FIX FROM ONE SIDE ONLY

**SPANTEC**

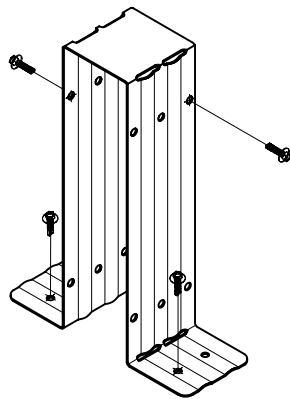
SPANTEC SYSTEMS PTY LTD.  
ABN 56 053 584 384

17 DRAPERS ROAD BRAEMAR, NSW, 2575  
P.O. BOX 81 MITTAGONG, NSW, 2575, AUSTRALIA  
PHONE: 02 4872 1611 FACSIMILE: 02 4872 1616  
design@spantec.com.au

DATE DRAWN	DWG FILE	REFERENCE
APRIL 2006	BRACKET	BR19
SCALE	VIEW NAME	REVISION
NTS	BR19	C

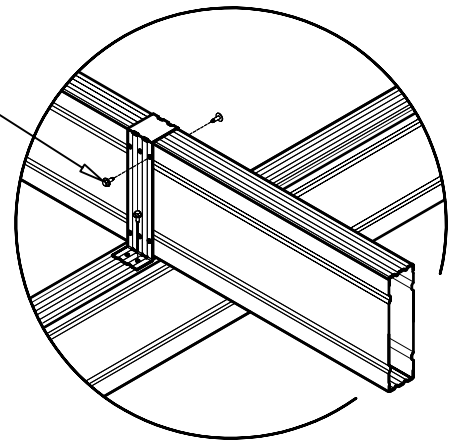
# TOP HAT BRACKET (TH)

FOR FIXING OF JOISTS TO BEARERS

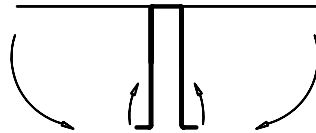
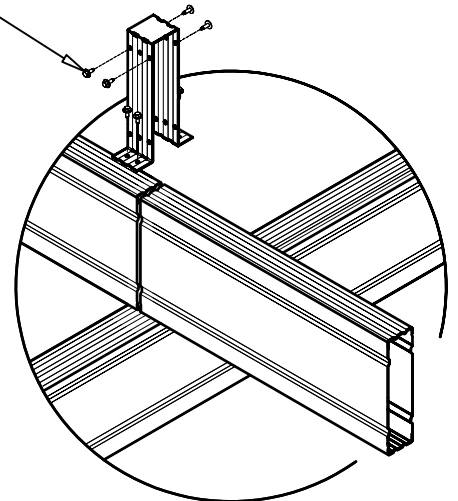


TH100  
TH150  
TH200  
TH250

4/12-14x20  
TEK SCREWS  
PER BRACKET



8/12-14x20  
TEK SCREWS  
PER BRACKET



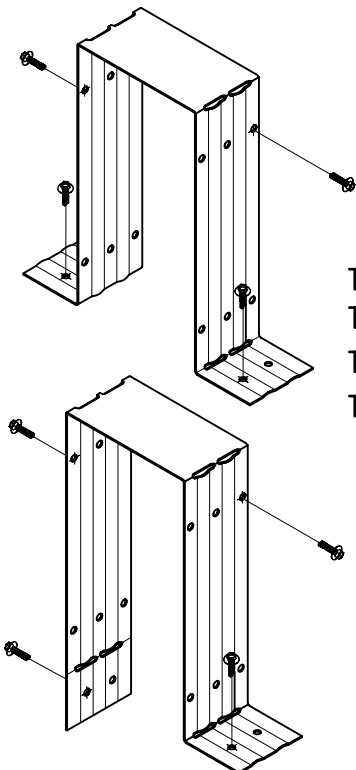
FOLD AS INDICATED

## JOINING JOISTS END TO END

WHERE JOISTS ARE TO BE JOINED OVER BEARERS, FIX TOP HAT OVER JOIN LOCATION WITH 2/12-14x20 TEK SCREWS INTO BEARER TOP FLANGE EACH SIDE OF JOISTS AND MIN 2/12-14x20 TEK SCREWS INTO WEB OF EACH SIDE OF JOISTS

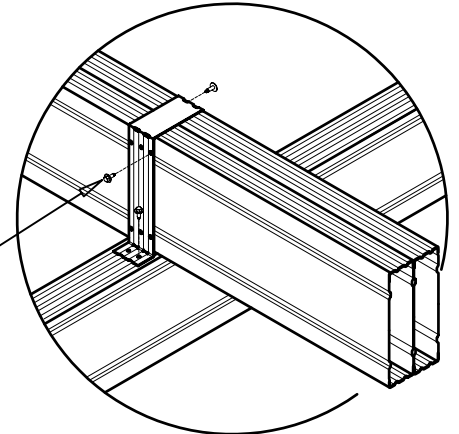
# TOP HAT DOUBLE BRACKET (THD)

FOR FIXING DOUBLE JOISTS TO BEARERS

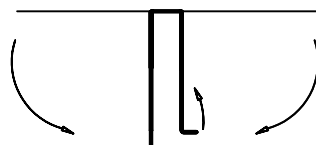
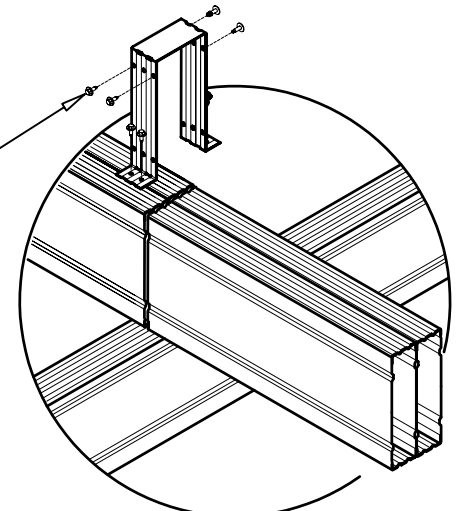


THD100  
THD150  
THD200  
THD250

4/12-14x20  
TEK SCREWS  
PER BRACKET



8/12-14x20  
TEK SCREWS  
PER BRACKET



FOLD AS INDICATED

# SPANTEC

SPANTEC SYSTEMS PTY LTD.  
ABN 56 053 584 384

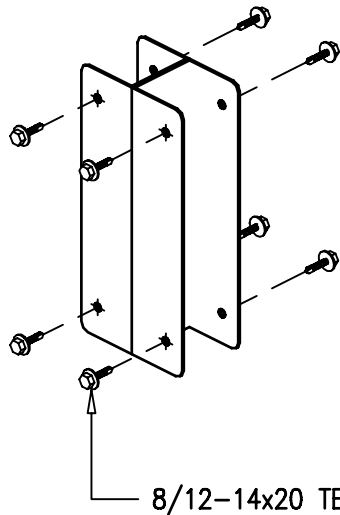
17 DRAPERS ROAD BRAEMAR, NSW, 2575  
P.O. BOX 81 MITTAGONG, NSW, 2575, AUSTRALIA  
PHONE: 02 4872 1611 FACSIMILE: 02 4872 1616  
design@spantec.com.au

DATE DRAWN APRIL 2006	DWG FILE BRACKET	REFERENCE BR16
SCALE NTS	VIEW NAME BR16	REVISION B

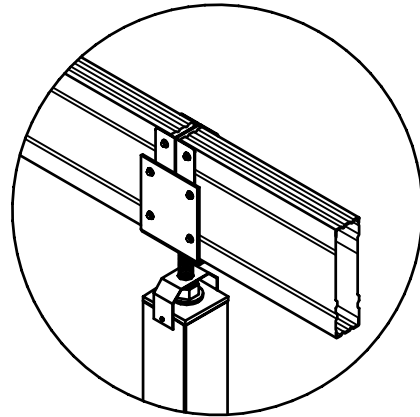


# JOINING BRACKET (JB)

CONNECTING BEARERS OF EQUIVALENT DEPTHS. BEARERS MUST BE JOINED OVER SUPPORTS.

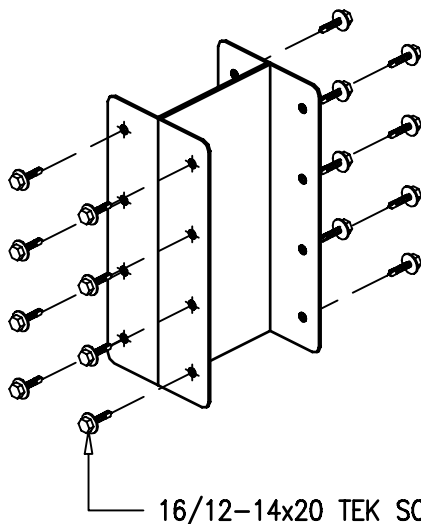


JB100  
JB150  
JB200  
JB250

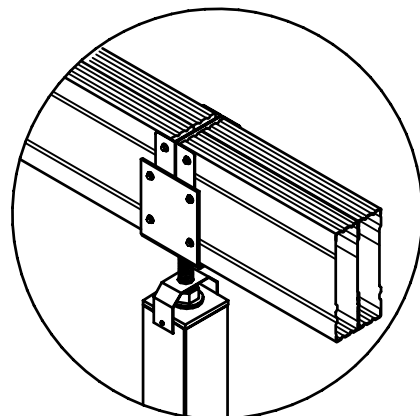


# JOINING BRACKET DOUBLE (JBD)

CONNECTING DOUBLE BEARERS OF EQUIVALENT DEPTHS. BEARERS MUST BE JOINED OVER SUPPORTS.



JBD100  
JBD150  
JBD200  
JBD250



# SPANTEC

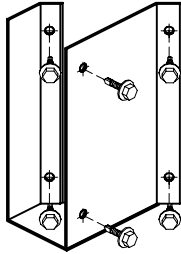
SPANTEC SYSTEMS PTY LTD.  
ABN 56 053 584 384

17 DRAPERS ROAD BRAEMAR, NSW, 2575  
P.O. BOX 81 MITTAGONG, NSW, 2575, AUSTRALIA  
PHONE: 02 4872 1611 FACSIMILE: 02 4872 1616  
[design@spantec.com.au](mailto:design@spantec.com.au)

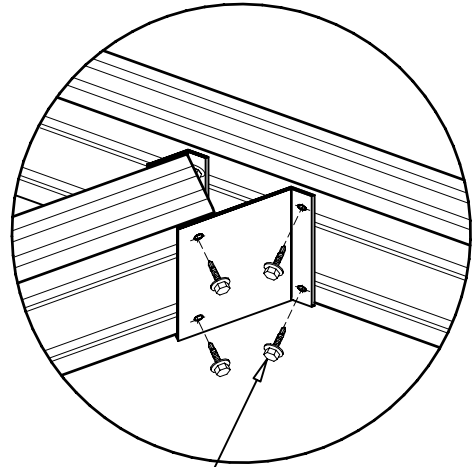
DATE DRAWN APRIL 2006	DWG FILE BRACKET	REFERENCE <b>BR08</b>
SCALE NTS	VIEW NAME BR08	REVISION <b>C</b>

# MITRE FRAMING BRACKET – LEFT HAND SIDE (MFBL)

FOR FIXING MEMBERS AT 45 DEGREES, SUCH AS JOIST TO BEARER



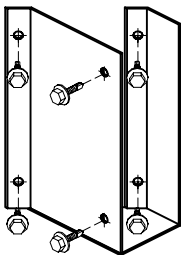
MFB100L  
MFB150L  
MFB200L  
MFB250L



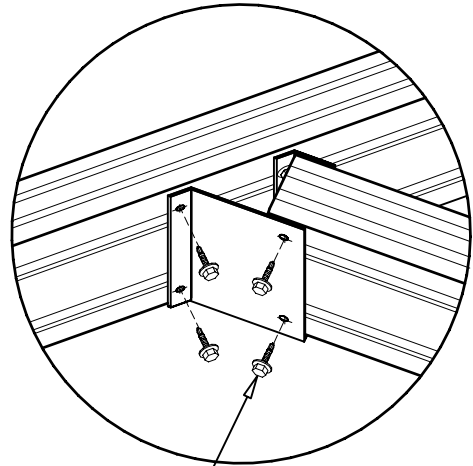
6/12-14x20 TEK SCREWS PER BRACKET

# MITRE FRAMING BRACKET – RIGHT HAND SIDE (MFBR)

FOR FIXING MEMBERS AT 45 DEGREES, SUCH AS JOIST TO BEARER



MFB100R  
MFB150R  
MFB200R  
MFB250R



6/12-14X20 TEK SCREWS PER BRACKET

# SPANTEC

SPANTEC SYSTEMS PTY LTD.  
ABN 56 053 584 384

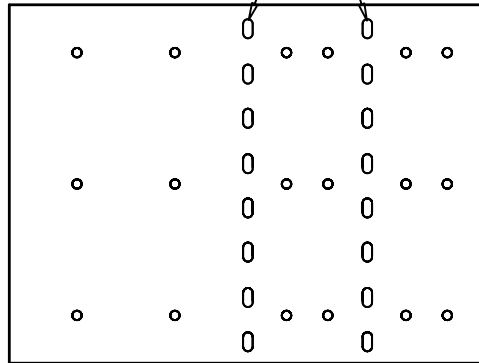
17 DRAPERS ROAD BRAEMAR, NSW, 2575  
P.O. BOX 81 MITTAGONG, NSW, 2575, AUSTRALIA  
PHONE: 02 4872 1611 FACSIMILE: 02 4872 1616  
design@spantec.com.au

DATE DRAWN APRIL 2006	DWG FILE BRACKET	REFERENCE <b>BR03</b>
SCALE NTS	VIEW NAME BR03	REVISION <b>B</b>

# ADJUSTABLE MITRE PLATE (AMP) – MULTI PURPOSE BRACKET

FOR FIXING JOISTS TO BEARERS WHERE CONNECTION ANGLE IS NOT 45° OR 90°

PERFORATION LINES

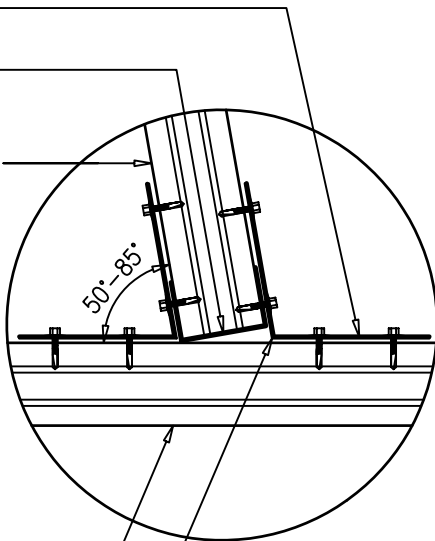


AMP100  
AMP150  
AMP200  
AMP250

ADJUSTABLE MITRE PLATE  
ONE EACH SIDE OF JOIST  
8/12-14x20 TEK SCREWS  
PER BRACKET

END CAP

BOXSPAN JOIST



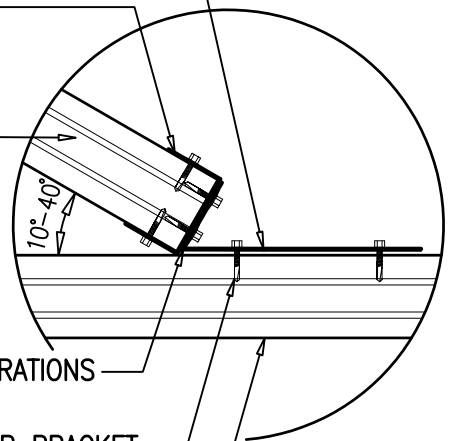
BOXSPAN BEARER

BEND AT PERFORATIONS

ADJUSTABLE MITRE PLATE

END CAP

BOXSPAN JOIST



BEND AT PERFORATIONS

8/12-14x20

TEK SCREWS PER BRACKET

BOXSPAN BEARER

## SPANTEC

SPANTEC SYSTEMS PTY LTD.  
ABN 56 053 584 384

17 DRAPERS ROAD BRAEMAR, NSW, 2575  
P.O. BOX 81 MITTAGONG, NSW, 2575, AUSTRALIA  
PHONE: 02 4872 1611 FACSIMILE: 02 4872 1616  
[design@spantec.com.au](mailto:design@spantec.com.au)

DATE DRAWN

APRIL 2006

DWG FILE

BRACKET

REFERENCE

BR05

SCALE

NTS

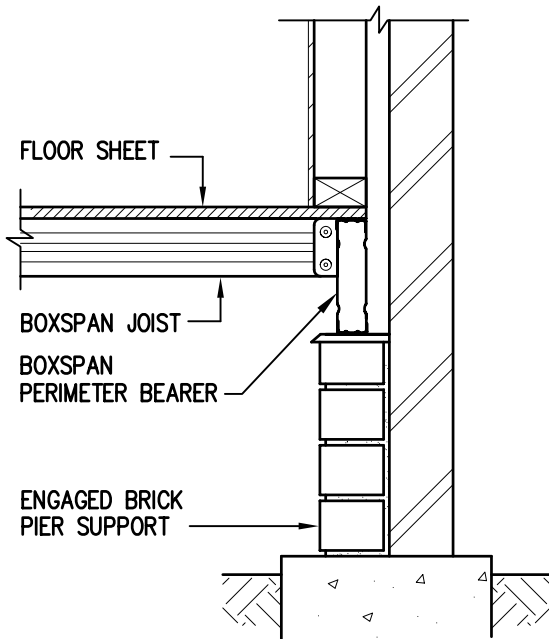
VIEW NAME

BR05

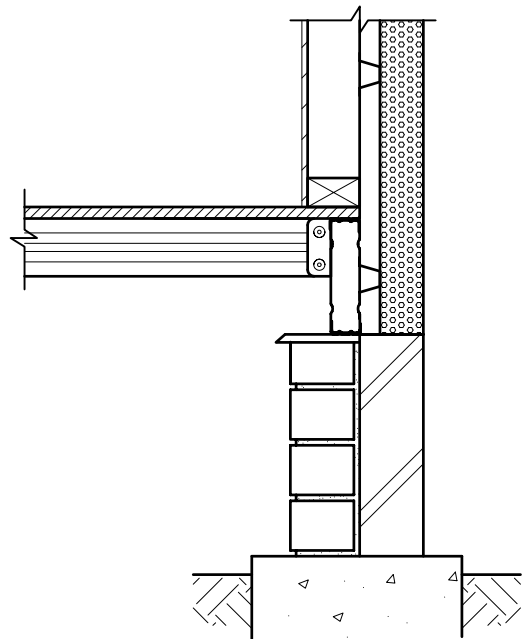
REVISION

B

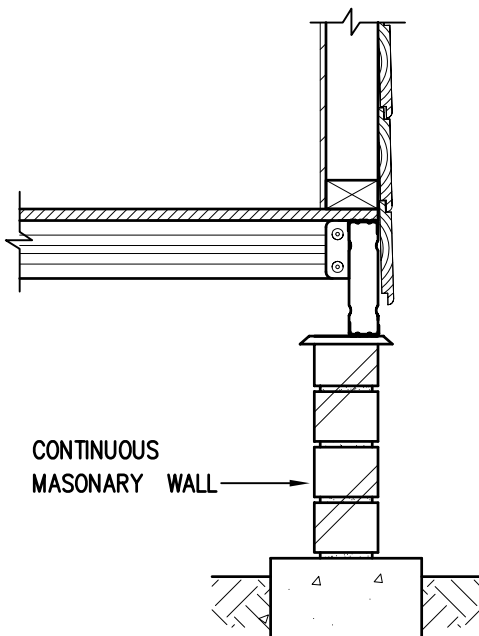
# PERIMETER CONSTRUCTION DETAILS FOR GROUND FLOOR RING BEAM SYSTEM



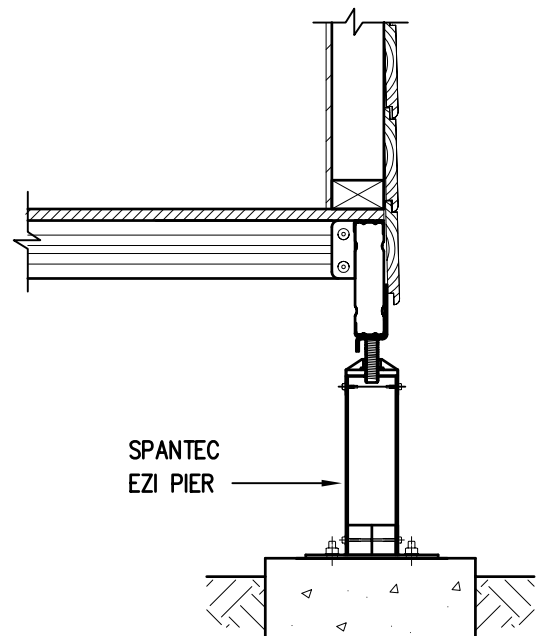
**BRICK VENEER**



**HEBEL FRAME**



**CLAD FRAME**



**CLAD FRAME**

**SPANTEC**

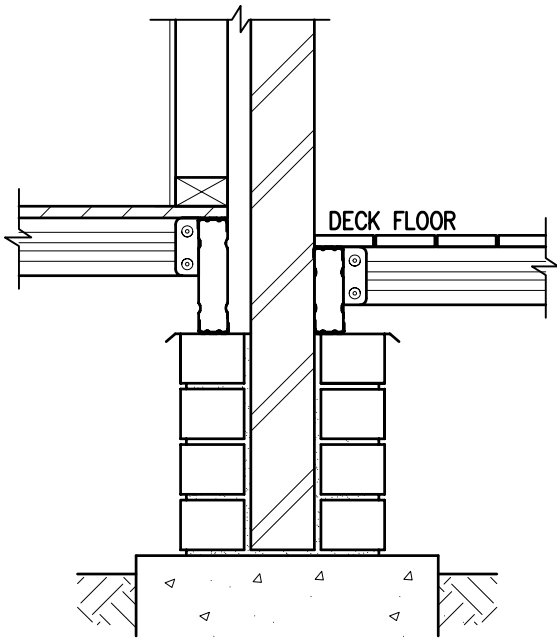
SPANTEC SYSTEMS PTY LTD.  
ABN 56 053 584 384

17 DRAPERS ROAD BRAEMAR, NSW, 2575  
P.O. BOX 81 MITTAGONG, NSW, 2575, AUSTRALIA  
PHONE: 02 4872 1611 FACSIMILE: 02 4872 1616  
design@spantec.com.au

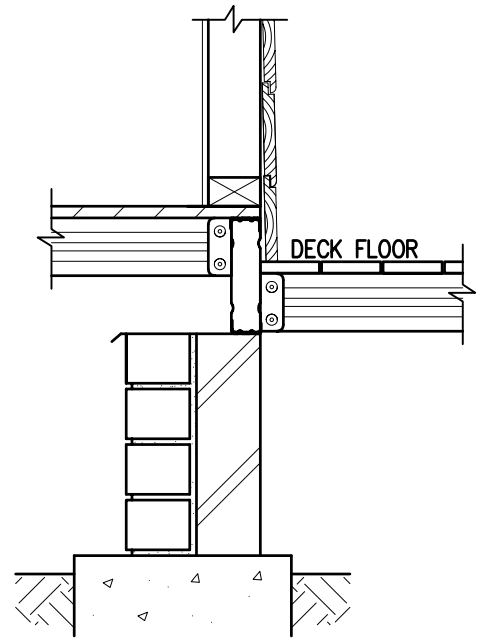
DATE DRAWN	DWG FILE	REFERENCE
APRIL 2006	INSTALL_TITLE	CDFW01
SCALE	VIEW NAME	REVISION
NTS	CONST_DETAILS_1	A

# CONSTRUCTION DETAILS

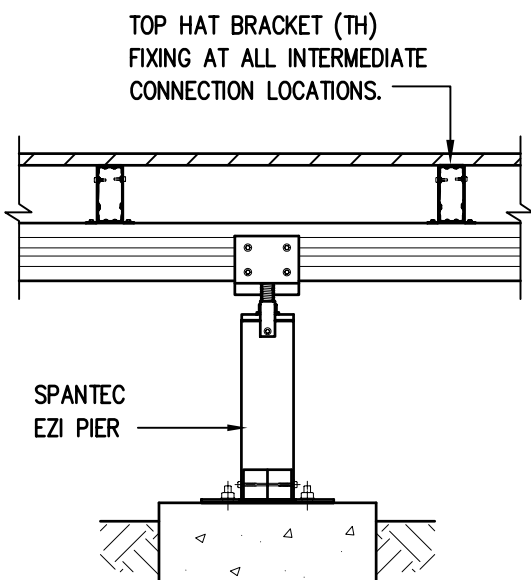
## FOR GROUND FLOOR RING BEAM SYSTEM



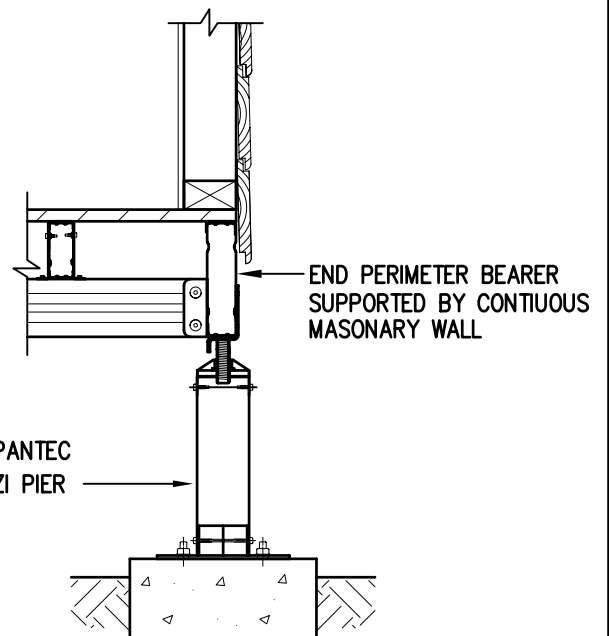
**BRICK VENEER  
(EXTERNAL STEPDOWN)**



**CLAD FRAME  
(EXTERNAL STEPDOWN)**



**INTERNAL BEARER**



**END PERIMETER BEARER**

**SPANTEC**

SPANTEC SYSTEMS PTY LTD.  
ABN 56 053 584 384

17 DRAPERS ROAD BRAEMAR, NSW, 2575  
P.O. BOX 81 MITTAGONG, NSW, 2575, AUSTRALIA  
PHONE: 02 4872 1611 FACSIMILE: 02 4872 1616  
[design@spantec.com.au](mailto:design@spantec.com.au)

DATE DRAWN	DWG FILE	REFERENCE
APRIL 2006	INSTALL_DETAILS	CDFW02
SCALE	VIEW NAME	REVISION
NTS	CONST_DETAILS_2	A